

Service  
Service  
**Service**



# Service Manual

**TABLE OF CONTENTS**

	Page
Handling chip components .....	1-1
Technical Specifications .....	2-1
Service Tool .....	2-1
Measurement setup .....	2-2
Connections and Controls .....	3-1..3-2
Set Block diagram .....	4-1
Set Wiring diagram .....	4-2
Disassembly diagram .....	5-1
Main board	
Circuit diagram .....	6-1..6-2
Layout diagram .....	6-3..6-4
Display&Tuner board - Circuit diagram .....	7-1..7-2
Display&Tuner board - Layout diagram .....	7-3..7-4
Power board - Circuit diagram .....	8-1
Power board - Layout diagram .....	8-2
Set Mechanical Exploded view .....	9-1
Mechanical Service parts list .....	9-2..9-3
Electrical Service parts list .....	10-1 .. 10-5
Revision list .....	11-1



© Copyright 2009 Philips Consumer Electronics B.V. Eindhoven, The Netherlands  
All rights reserved. No part of this publication may be reproduced, stored in a retrieval system or transmitted, in any form or by any means, electronic, mechanical, photocopying, or otherwise without the prior permission of Philips.

Published by LX 0950- Service Audio      Printed in The Netherlands      Subject to modification

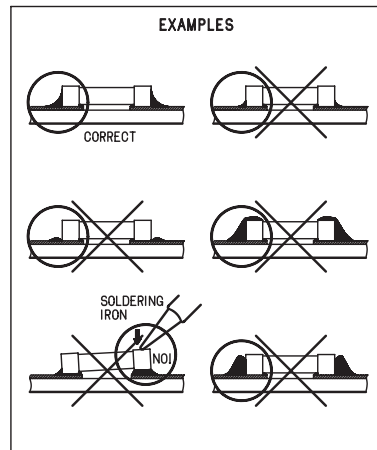
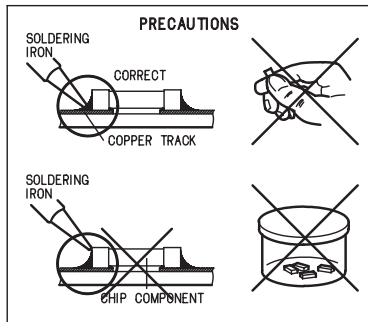
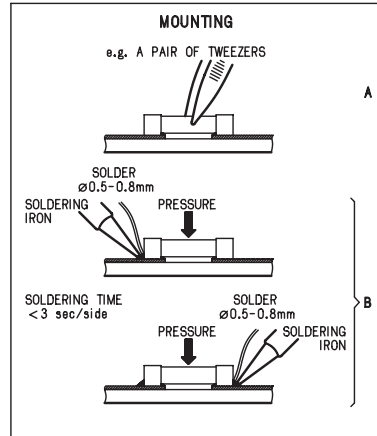
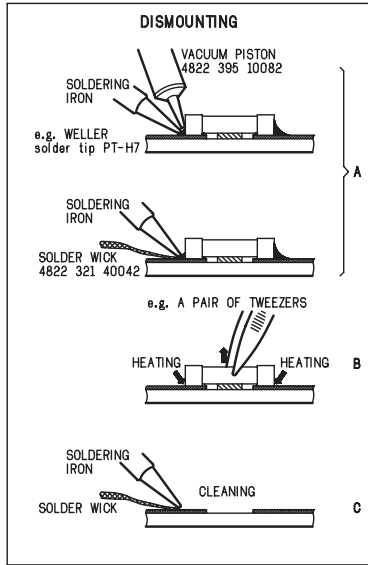
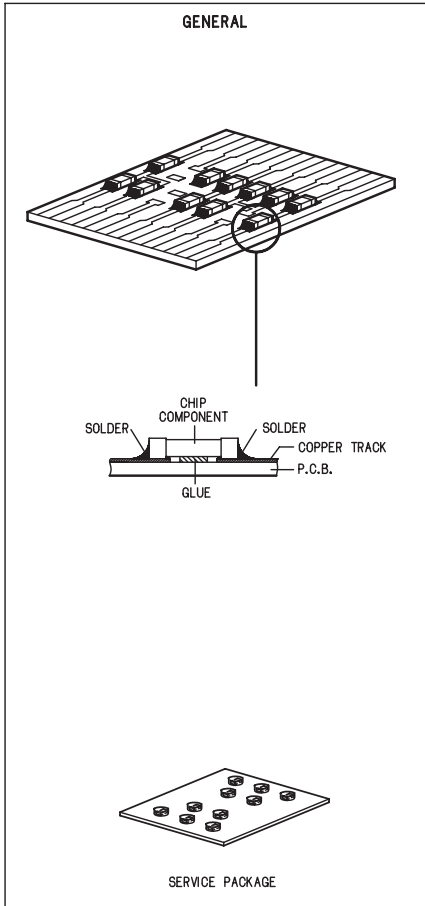
GB 3141 785 31702

**Version 1.2**



**PHILIPS**

# HANDLING CHIP COMPONENTS



**(GB) WARNING**

All ICs and many other semiconductors are susceptible to electrostatic discharges (ESD). Careless handling during repair can reduce life drastically. When repairing, make sure that you are connected with the same potential as the mass of the set via a wristband with resistance. Keep components and tools at this potential.

**ESD**



**(NL) WAARSCHUWING**

Alle IC's en vele andere halfgeleiders zijn gevoelig voor electrostatische ontladingen (ESD). Onzorgvuldig behandelen tijdens reparatie kan de levensduur drastisch doen verminderen. Zorg ervoor dat u tijdens reparatie via een polsband met weerstand verbonden bent met hetzelfde potentiaal als de massa van het apparaat. Houd componenten en hulpmiddelen ook op ditzelfde potentiaal.

**(F) ATTENTION**

Tous les IC et beaucoup d'autres semi-conducteurs sont sensibles aux décharges statiques (ESD). Leur longévité pourrait être considérablement écourtée par le fait qu'aucune précaution n'est prise à leur manipulation. Lors de réparations, s'assurer de bien être relié au même potentiel que la masse de l'appareil et enfilez le bracelet serti d'une résistance de sécurité. Veillez à ce que les composants ainsi que les outils que l'on utilise soient également à ce potentiel.

**(D) WARNUNG**

Alle ICs und viele andere Halbleiter sind empfindlich gegenüber elektrostatischen Entladungen (ESD). Unvorsichtige Behandlung im Reparaturfall kann die Lebensdauer drastisch reduzieren. Sorgen Sie dafür, daß Sie im Reparaturfall über ein Pulsarmband mit Widerstand mit dem Massepotential des Gerätes verbunden sind. Halten Sie Bauteile und Hilfsmittel ebenfalls auf diesem Potential.

**(I) AVVERTIMENTO**

Tutti IC e parecchi semi-conduttori sono sensibili alle scariche statiche (ESD). La loro longevità potrebbe essere fortemente ridotta in caso di non osservazione della più grande cautela alla loro manipolazione. Durante le riparazioni occorre quindi essere collegato allo stesso potenziale che quello della massa dell'apparecchio tramite un braccialetto a resistenza. Assicurarsi che i componenti e anche gli utensili con quali si lavora siano anche a questo potenziale.

**(GB)**

Safety regulations require that the set be restored to its original condition and that parts which are identical to those specified be used. Safety components are marked by the symbol ▲

**SAFETY**



**(F)**

Les normes de sécurité exigent que l'appareil soit remis à l'état d'origine et que soient utilisées les pièces de rechange identiques à celles spécifiées. Les composants de sécurité sont marqués ▲

**(D)**

Bei jeder Reparatur sind die geltenden Sicherheitsvorschriften zu beachten. Der Originalzustand des Gerätes darf nicht verändert werden. Für Reparaturen sind Originalersatzteile zu verwenden. Sicherheitsbauteile sind durch das Symbol ▲ markiert.

**(NL)**

Veiligheidsbepalingen vereisen, dat het apparaat in zijn oorspronkelijke toestand wordt teruggebracht en dat onderdelen, identiek aan de gespecificeerde, worden toegepast. De Veiligheidsonderdelen zijn aangeduid met het symbool ▲

**(I)**

Le norme di sicurezza estigono che l'apparecchio venga rimesso nelle condizioni originali e che siano utilizzati i pezzi di ricambio identici a quelli specificati. Componenti di sicurezza sono marcati con ▲

**(GB) DANGER:** Invisible laser radiation when open. AVOID DIRECT EXPOSURE TO BEAM.



**(S) Varning !**  
Osynlig laserstrålning när apparaten är öppnad och spärren är urkopplad. Betrakta ej strålen.

**(DK) Advarsel !**  
Usynlig laserstrålning ved åbning når sikkerhedsafbrydere er ude af funktion. Undgå udsættelse for strålning.

**(FIN) Varoitus !**  
Avatussa laitteessa ja suojalukituksen ohitettaessa olet alltiina näkymättömälle laserisäteilylle. Älä katso säteeseen !

**(GB)**  
After servicing and before returning the set to customer perform a leakage current measurement test from all exposed metal parts to earth ground, to assure no shock hazard exists. The leakage current must not exceed 0.5mA.

**(F)**  
"Pour votre sécurité, ces documents doivent être utilisés par des spécialistes agréés, seuls habilités à réparer votre appareil en panne".

## TECHNICAL SPECIFICATIONS

### AMPLIFIER

Output power ..... 2 x 2W  
 ..... 4W total power  
 Signal-to-noise ratio .....  $\geq 62$  dBA (IEC)  
 Frequency response ..... 125 – 16000 Hz,  $\pm 3$  dB  
 Impedance loudspeakers ..... 8  $\Omega$   
 Impedance headphones ..... 32  $\Omega$

### CD PLAYER

Frequency range ..... 20 – 20000 Hz  
 Signal-to-noise ratio ..... 62 dBA

### TUNER

FM wave range ..... 87.5 – 108.5 MHz  
 MW wave range ..... 531 – 1602 kHz  
 Sensitivity at 75  $\Omega$   
 – mono, 26 dB signal-to-noise ratio ..... 3.8  $\mu$ V  
 – stereo, 46 dB signal-to-noise ratio ..... 61.4  $\mu$ V  
 Selectivity .....  $\geq 28$  dB  
 Total harmonic distortion .....  $\leq 5\%$   
 Frequency response ..... 63 – 12500 Hz ( $\pm 3$  dB)  
 Signal-to-noise-ratio .....  $\geq 50$  dB

### SPEAKERS

Bass reflex system  
 Dimensions (w x h x d) . 150 x 153 x 204 (mm)

### GENERAL INFORMATION

AC Power.....-/05/12..... 220 – 240V /50 Hz  
 Dimensions (w x h x d) .. 150 x 153 x 244 (mm)  
 Weight (with/without speakers) .....  
 ..... approx. 4.9 / 2.3 kg  
 Eco power standby ..... < 4 W

### *Subject to modification*

## SERVICE TOOLS

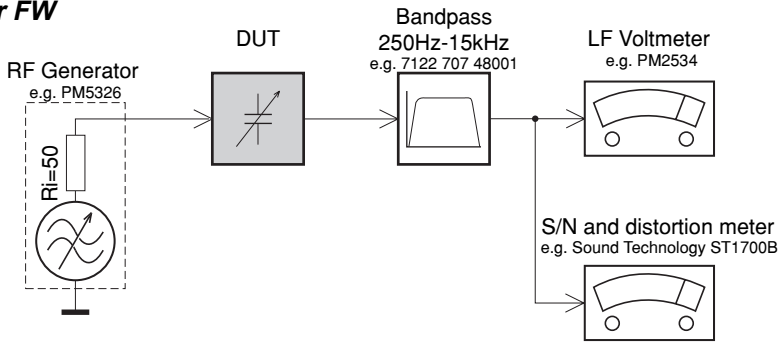
**TORX T10** screwdriver with shaftlength 150mm.....4822 395 50423  
**TORX screwdriver set** SBC 163.....4822 295 50145  
**Audio signal disc** SBC 429.....4822 397 30184  
**Playability test disc** SBC 444.....4822 397 30245  
**Test disc 5** (disc without errors) +  
**Test disc 5A** (disc with dropout errors, black spots and fingerprints)  
 SBC 426/426A.....4822 397 30096  
**Burn in test disc** (65 min. 1kHz signal at -30 dB level without "pause") ....4822 397 30155  
**Universal test cassette** Fe SBC 420.....4822 397 30071

## AVAILABLE ESD PROTECTION EQUIPMENT

<b>anti-static table mat</b>	large 1200x650x1.25mm	4822 466 10953
	small 600x650x1.25mm	4822 466 10958
<b>anti-static wristband</b>		4822 395 10223
<b>connection box</b> (3 press stud connections, 1M $\Omega$ )		4822 320 11307
<b>extendible cable</b> (2m, 2M $\Omega$ , to connect wristband to connection box)		4822 320 11305
<b>connecting cable</b> (3m, 2M $\Omega$ , to connect table mat to connection box)		4822 320 11306
<b>earth cable</b> (1M $\Omega$ , to connect any product to mat or to connection box)		4822 320 11308
<b>KIT ESD3</b> (combining all 6 prior products - small table mat)		4822 310 10671
<b>wristband tester</b>		4822 344 13999

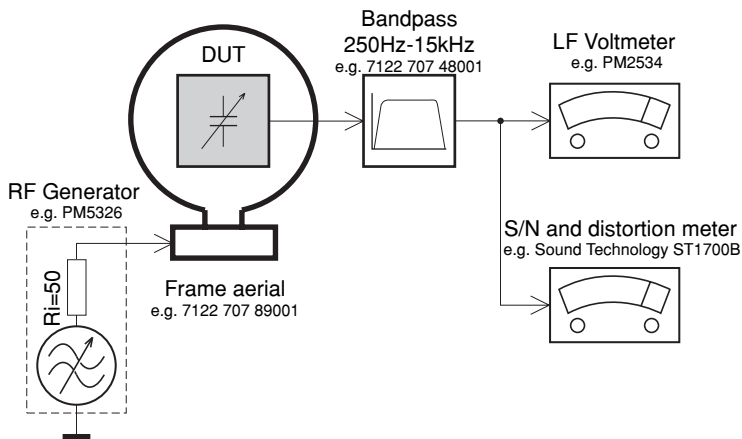
## SERVICE MEASUREMENT

### Tuner FW



Use a bandpass filter to eliminate hum (50Hz, 100Hz) and disturbance from the pilotone (19kHz, 38kHz).

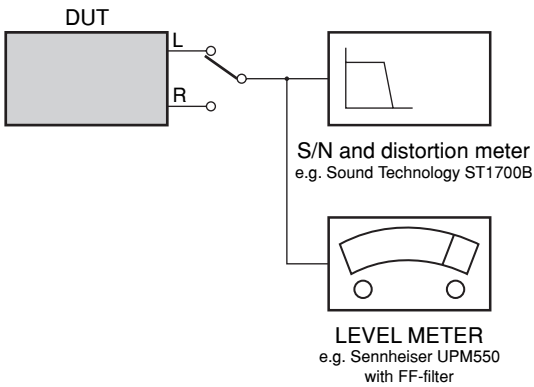
### Tuner AM (MW,LW)



To avoid atmospheric interference all AM-measurements have to be carried out in a Faraday«s cage. Use a bandpass filter (or at least a high pass filter with 250kHz) to eliminate hum (50Hz, 100Hz).

### CD

Use Audio Signal Disc SBC429 4822 397 30184  
(replaces test disc 3)



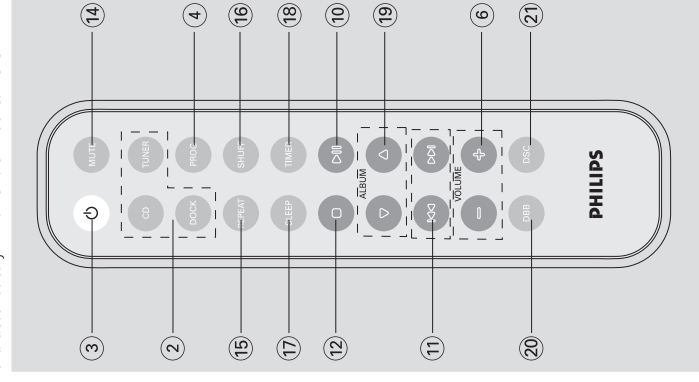
# CONNECTION AND CONTROLS

## Controls (illustrations on page 3)

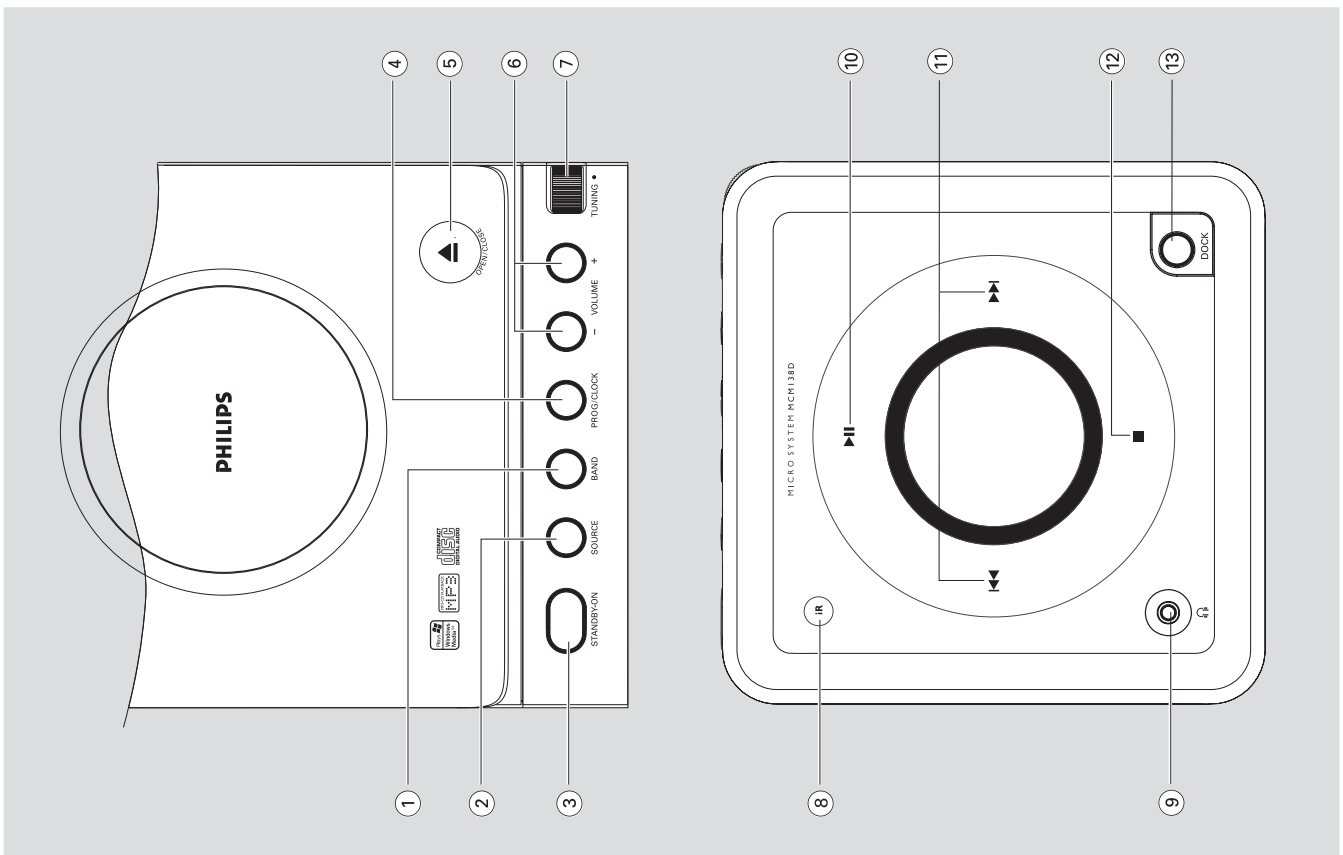
### Controls on the system and remote control

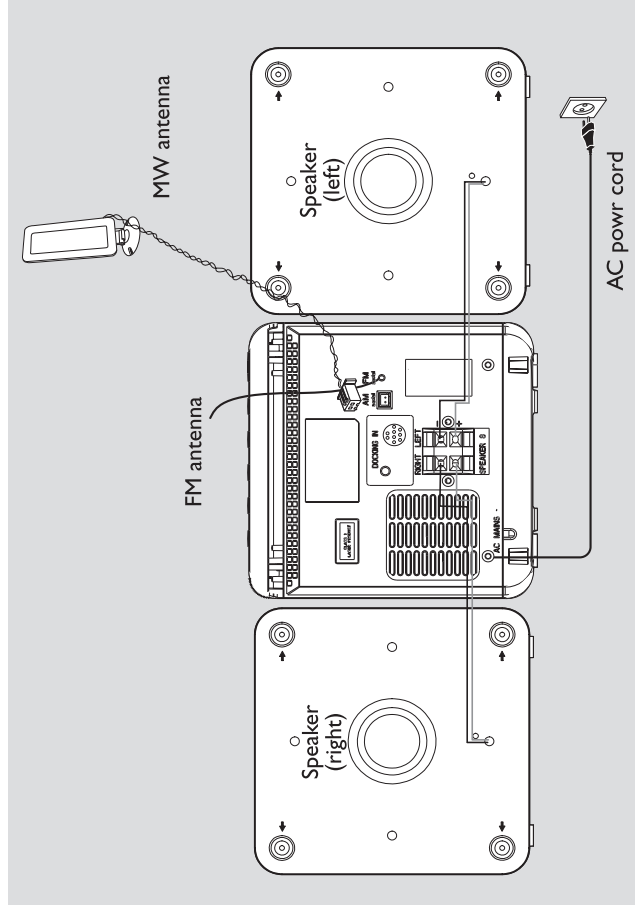
- 1 **BAND**  
for Tuner..... (on the set only) selects waveband.
- 2 **SOURCE (CD/TUNER/DOCK)**  
switches on the system.  
selects the respective sound source for CD/ FM/ MW/ DOCK.
- 3 **STANDBY-ON /  $\psi$**   
switches the system to standby/Eco power standby/on.
- 4 **PROG/CLOCK**  
for CD .....programs tracks and reviews the program.  
for clock..... sets the clock function.
- 5 **OPEN-CLOSE**  
opens/closes the CD door.
- 6 **VOLUME - / +**  
adjusts volume level.
- 7 **TUNING  $\bullet$**   
tunes to radio stations.
- 8 **IR SENSOR**  
infrared sensor for remote control.
- 9  $\uparrow$   
connect headphones.
- 10 **▶ ||**  
for CD .....starts or pauses CD playback.
- 11 **◀◀ / ▶▶**  
skips to the beginning of a current track/ previous/ next track.  
fast searches back and forward within a track/ CD.
- 12 **STOP ■**  
stops CD playback or erase a CD program.
- 13 **DOCK**  
selects sound source of DOCK
- 14 **MUTE**  
switches playback sound off and on.
- 15 **REPEAT**  
repeats a track/ disc/ all programmed tracks.
- 16 **SHUFF (SHUFFLE)**  
plays CD/MP3 tracks in random order.
- 17 **SLEEP**  
activates/deactivates or selects the sleeper time.

- 18 **TIMER**  
activates/deactivates or sets the timer function.
- 19 **ALBUM  $\blacktriangledown \blacktriangle$**   
for MP3/WMA disc.....selects an album.
- 20 **DBB**  
(Dynamic Bass Boost) enhances the bass.
- 21 **DSC**  
(Digital Sound Control) selects sound characteristics: JAZZ/POP/CLASSIC/ROCK.



**Notes for remote control:**  
 - First select the source you wish to control by pressing one of the source select keys on the remote control (for example CD, TUNER).  
 - Then select the desired function (for example ▶, ◀, ▶).





## Rear connections

The type plate is located at the rear of the system.  
For users in the U.K.: please follow the instructions on page 2.

### (A) Power

- Before connecting the AC power cord to the wall outlet, ensure that all other connections have been made.

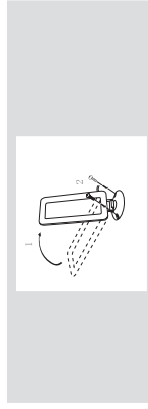
### WARNING!

- For optimal performance, use only the original power cable.
- Never make or change any connections with the power switched on.

## (B) Antennas Connection

### AM (MW) antenna

- Unfold the loop antenna and if necessary, use screws (not supplied) to fix it to a flat, hard and stable place:



- Fit the plug of the loop antenna to AM ANTENNA as shown above.
- Adjust the antenna for optimal reception

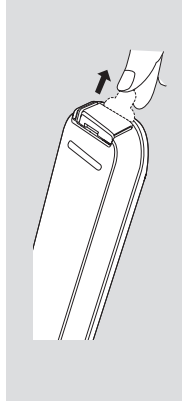
### FM Antenna

It is unnecessary to connect the FM pigtail antenna since it is fixed to the main unit.

- Position the antenna as far as possible from a TV, VCR or other radiation source.

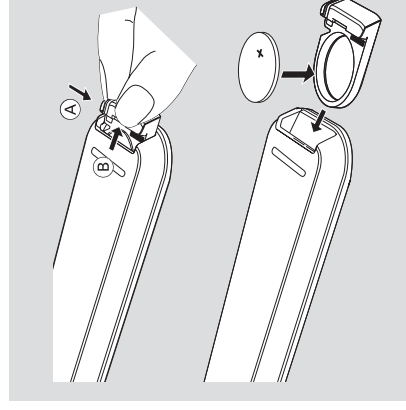
## Before using the remote control

- Pull out the plastic protective sheet.
- Select the source you wish to control by pressing one of the source select keys on the remote control (for example CD, TUNER).
- Then select the desired function (for example ▲, ▽, ►, ◀).



## Replacing battery (lithium CR2032) into the remote control

- Pull out the knob (A) slightly to the left.
- Pull out the battery compartment (B).
- Replace a new battery and fully insert the battery compartment back to the original position.

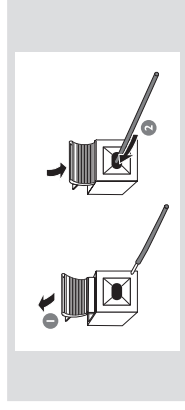


**CAUTION!**  
Batteries contain chemical substances, so they should be disposed off properly.

## (C) Speakers Connection

### Front Speakers

Connect the speaker wires to the SPEAKERS terminals, right speaker to "RIGHT" and left speaker to "LEFT", the wire (marked red) to "+" and the wire (marked black) to "-".

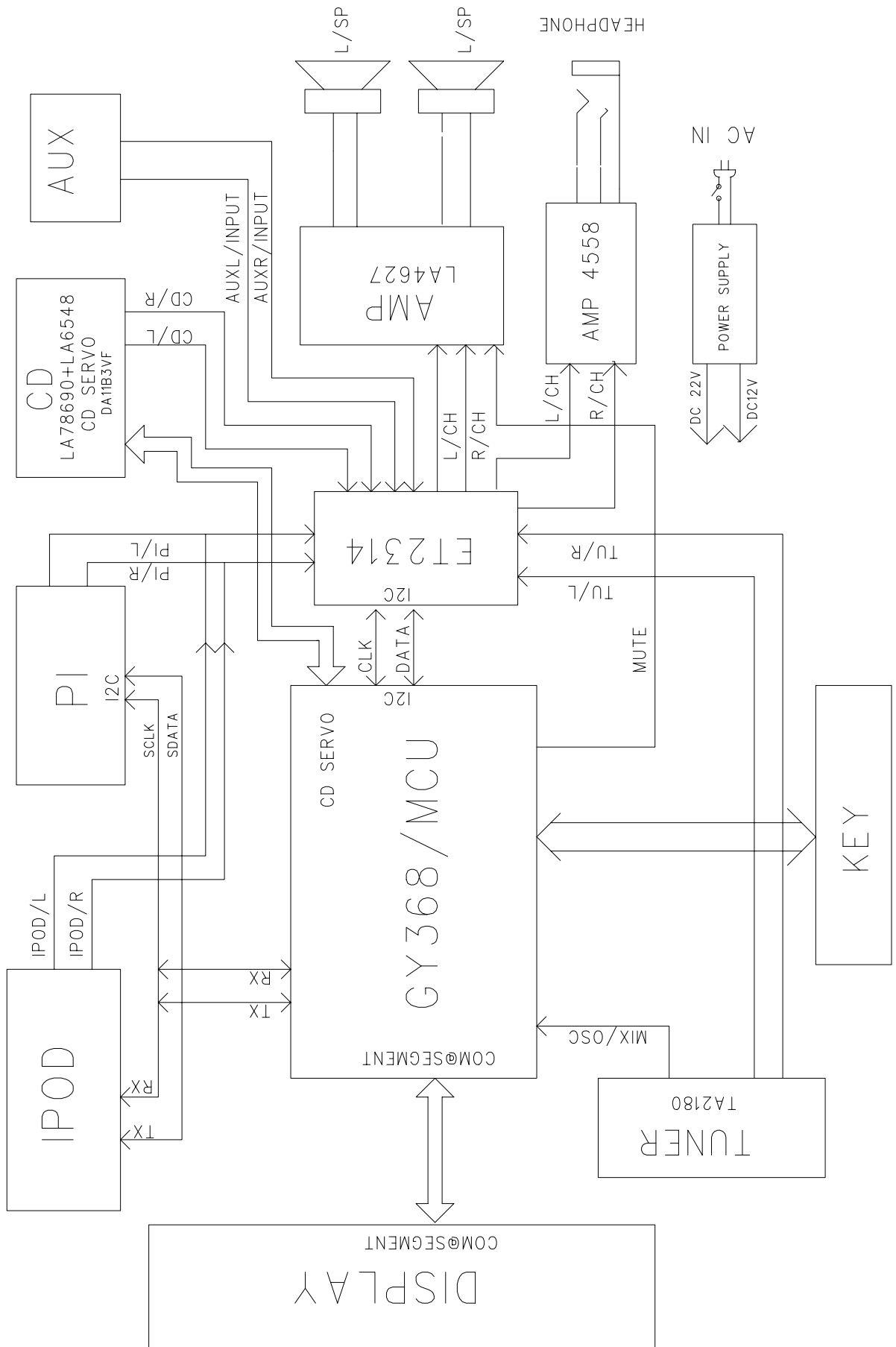


- Fully insert the stripped portion of the speaker wire into the terminal as shown.

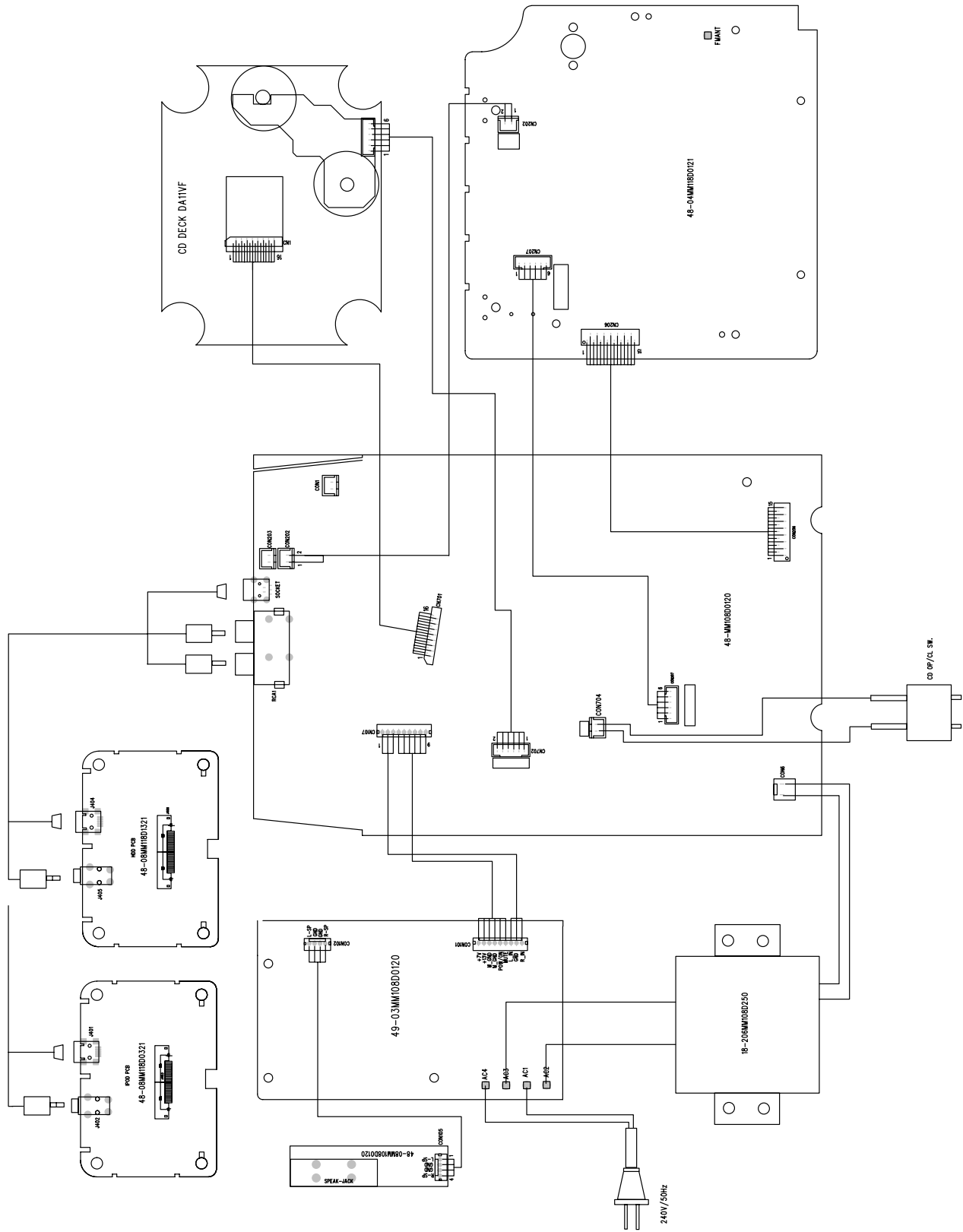
### Notes:

- For optimal sound performance, use the supplied speakers.
- Do not connect more than one speaker to any one pair of + / - speaker terminals.
- Do not connect speakers with an impedance lower than the speakers supplied. Please refer to the SPECIFICATIONS section of this manual.

# SET BLOCK DIAGRAM



# SET WIRING DIAGRAM

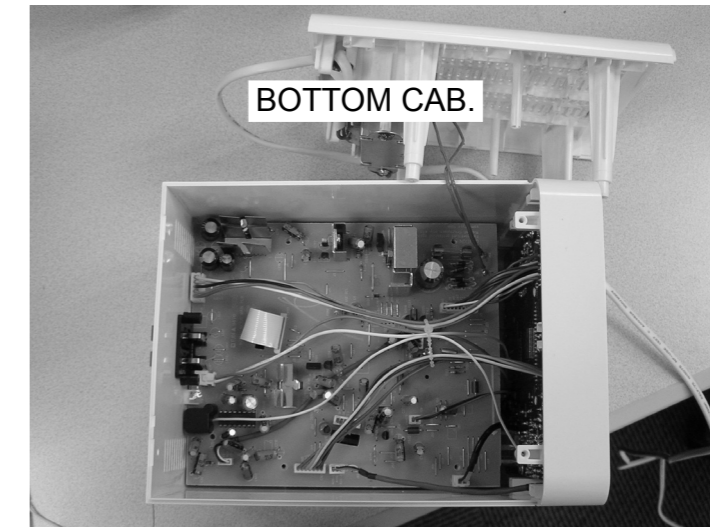
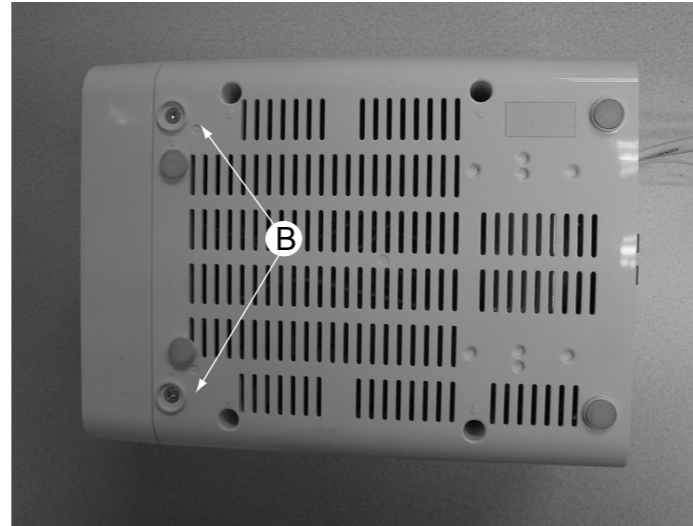
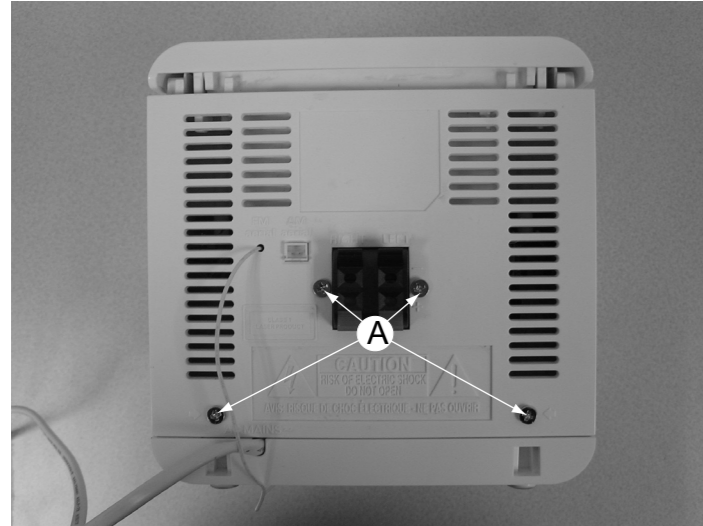




## DISASSEMBLY DIAGRAM

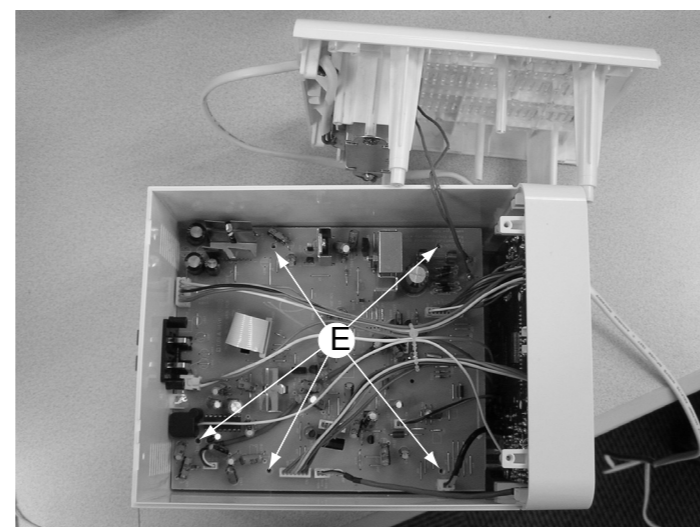
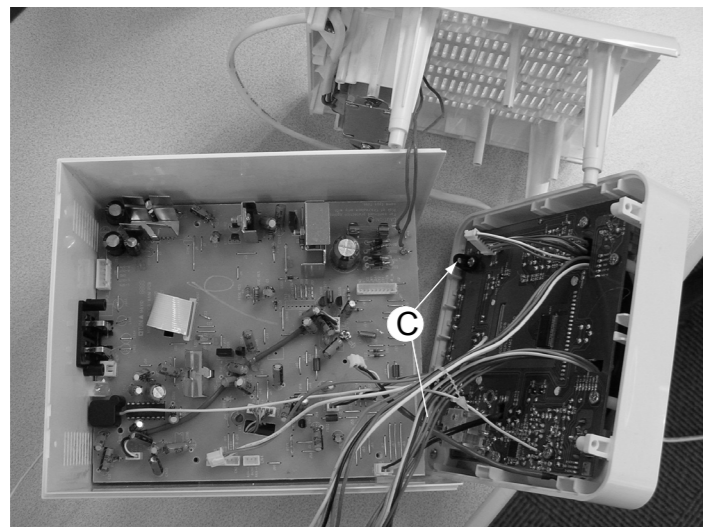
### Dismantling of the Bottom Cabinet

- 1) Remove 4 screws A as indicated to loosen the Rear Cabinet.
- 2) Remove 2 screws B as indicated to loosen the Bottom Cabinet.

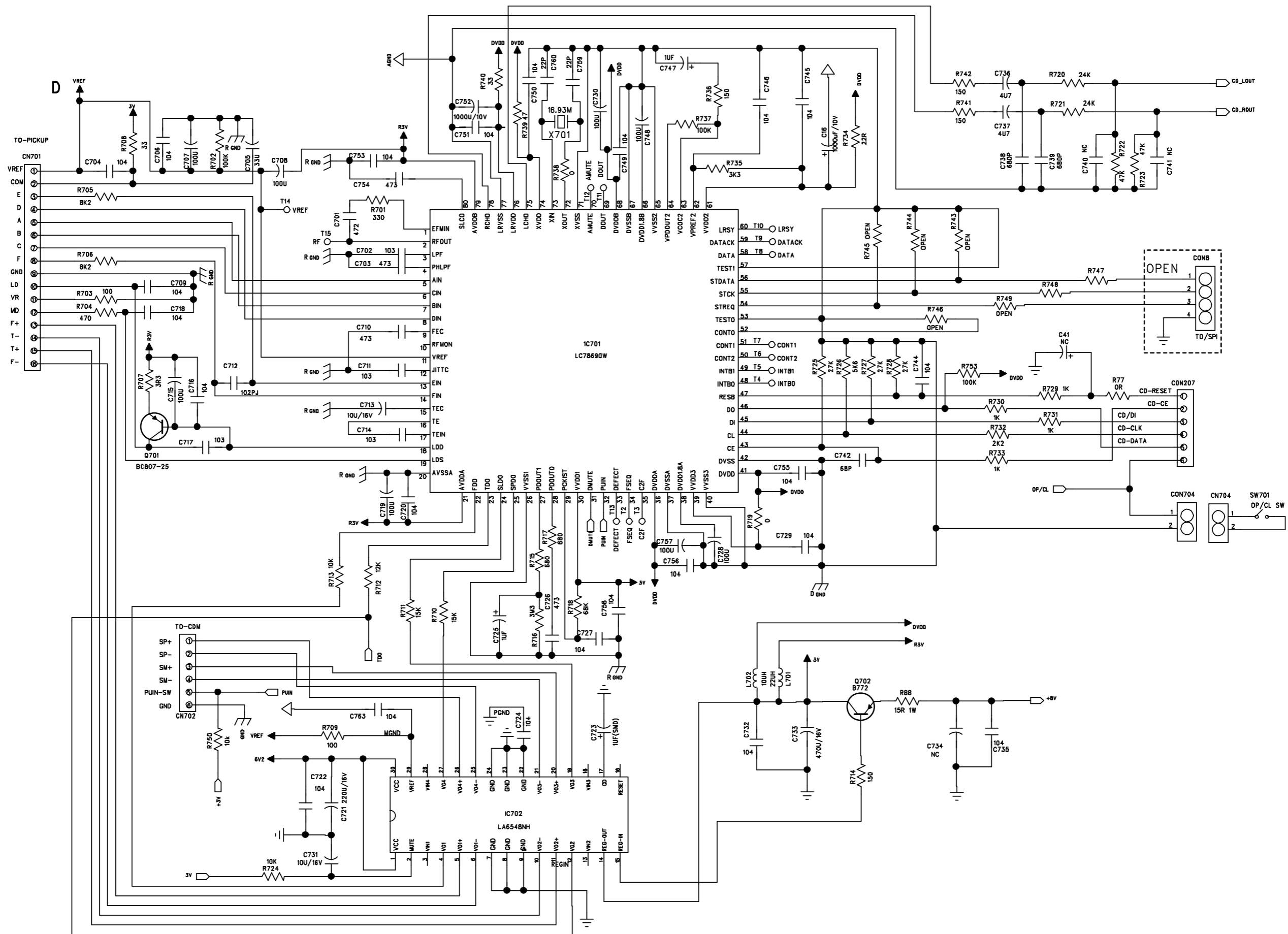


### Dismantling of the Front Cabinet and Main Board

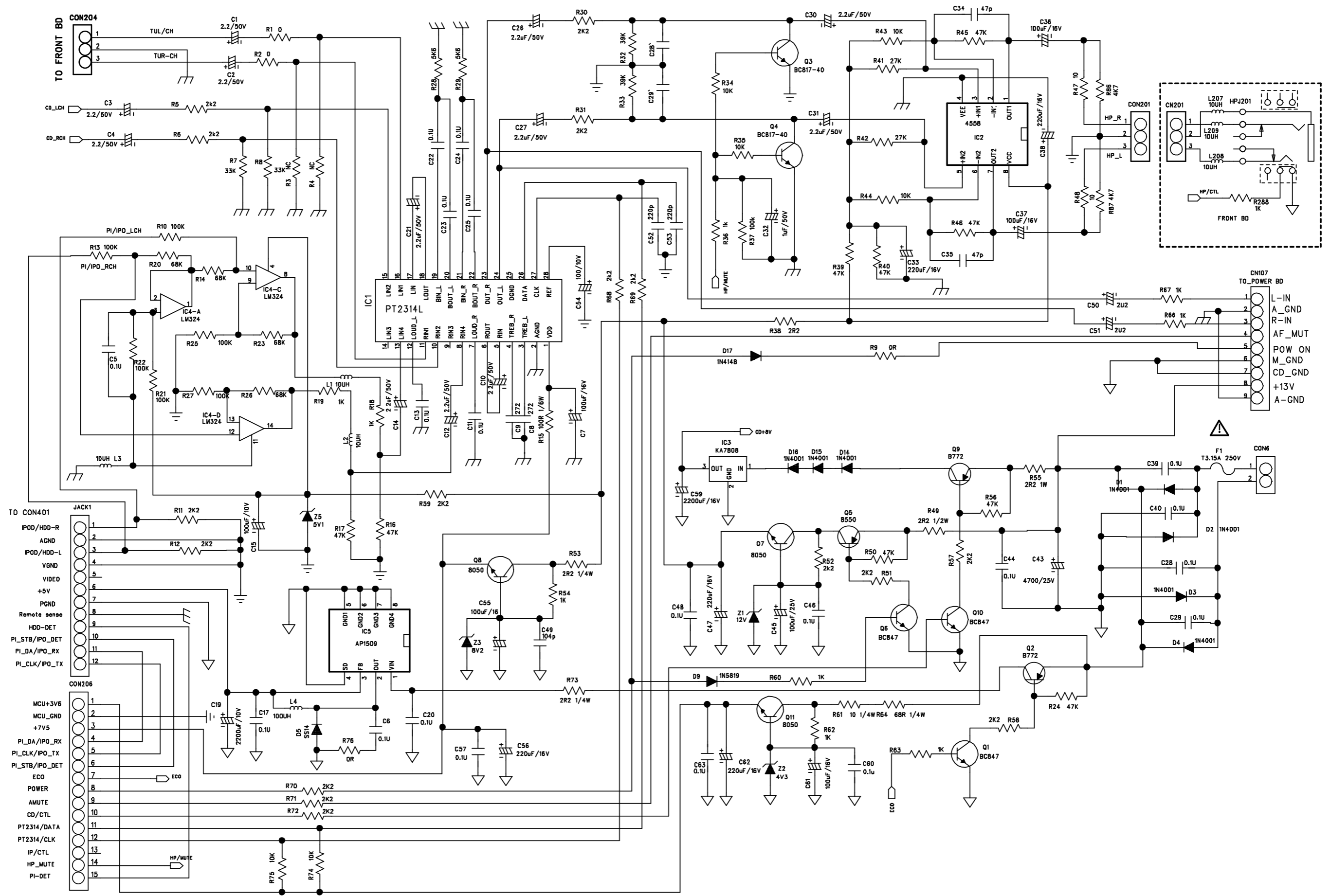
- 1) Remove 2 screws C as indicated to loosen the Front Cabinet.
- 2) Remove 5 screws D as indicated to loosen the Main Board.



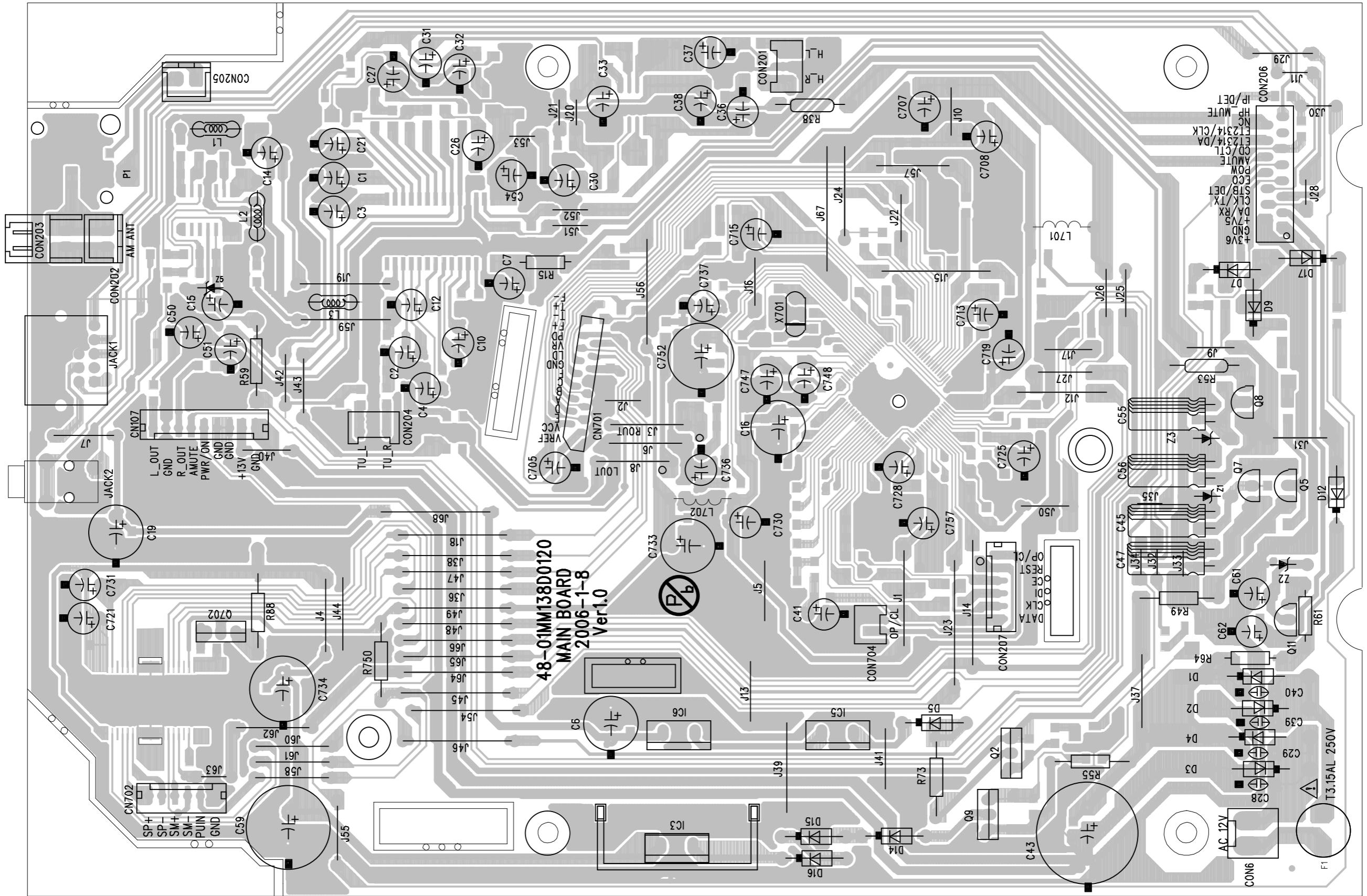
# CIRCUIT DIAGRAM - MAIN BOARD CD PART



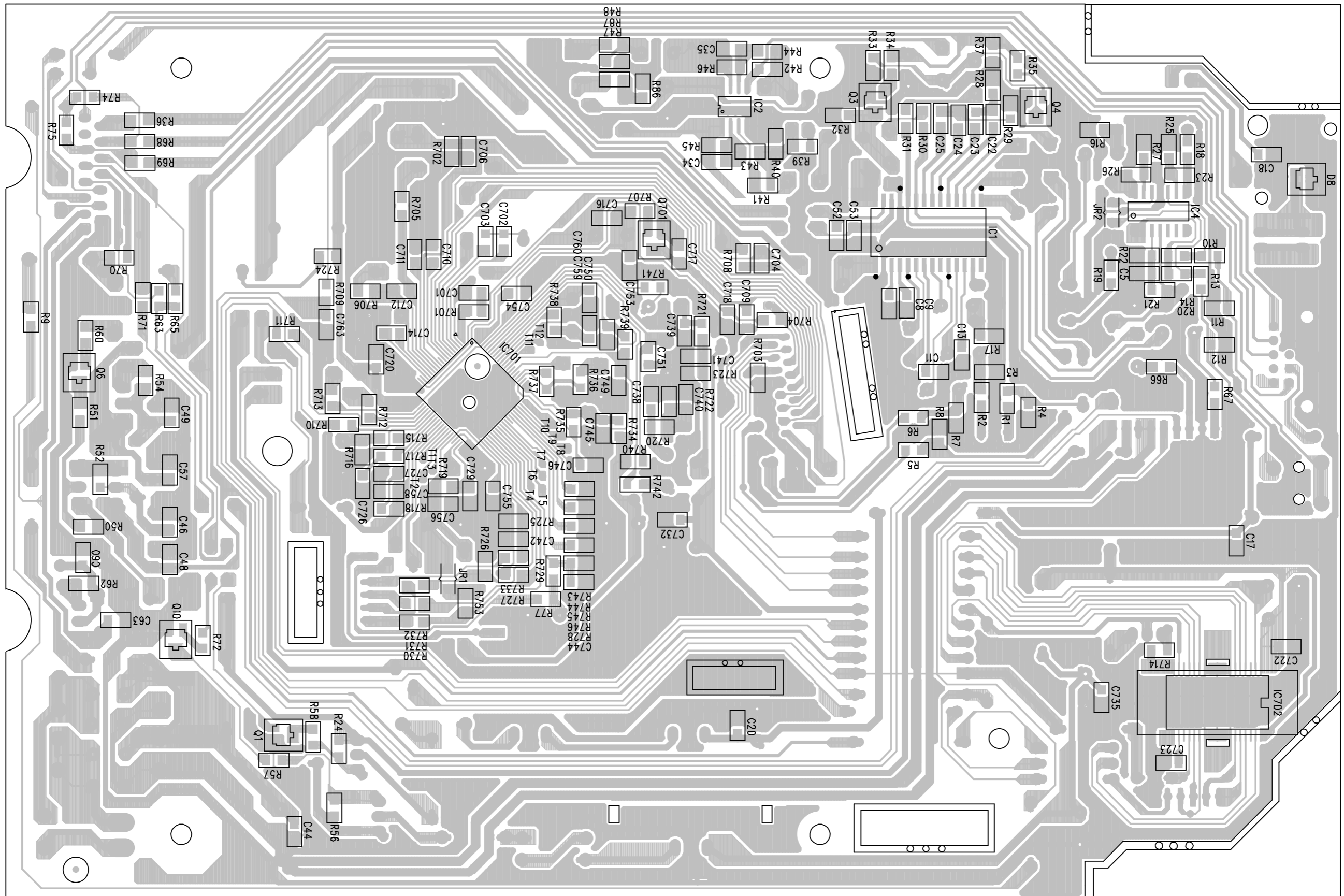
# CIRCUIT DIAGRAM - MAIN BOARD AMP PART



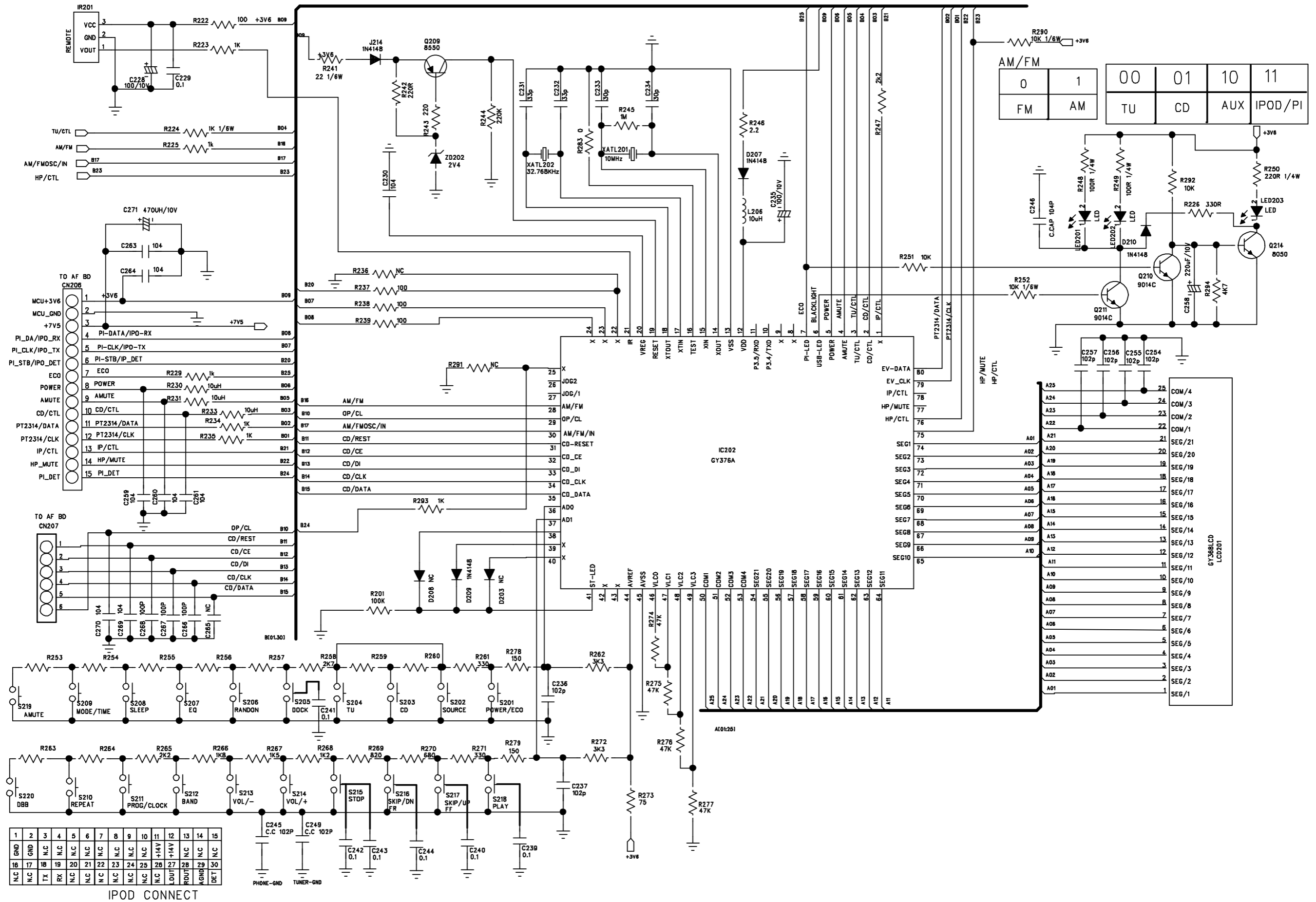
# LAYOUT DIAGRAM - MAIN BOARD COMPONENT SIDE



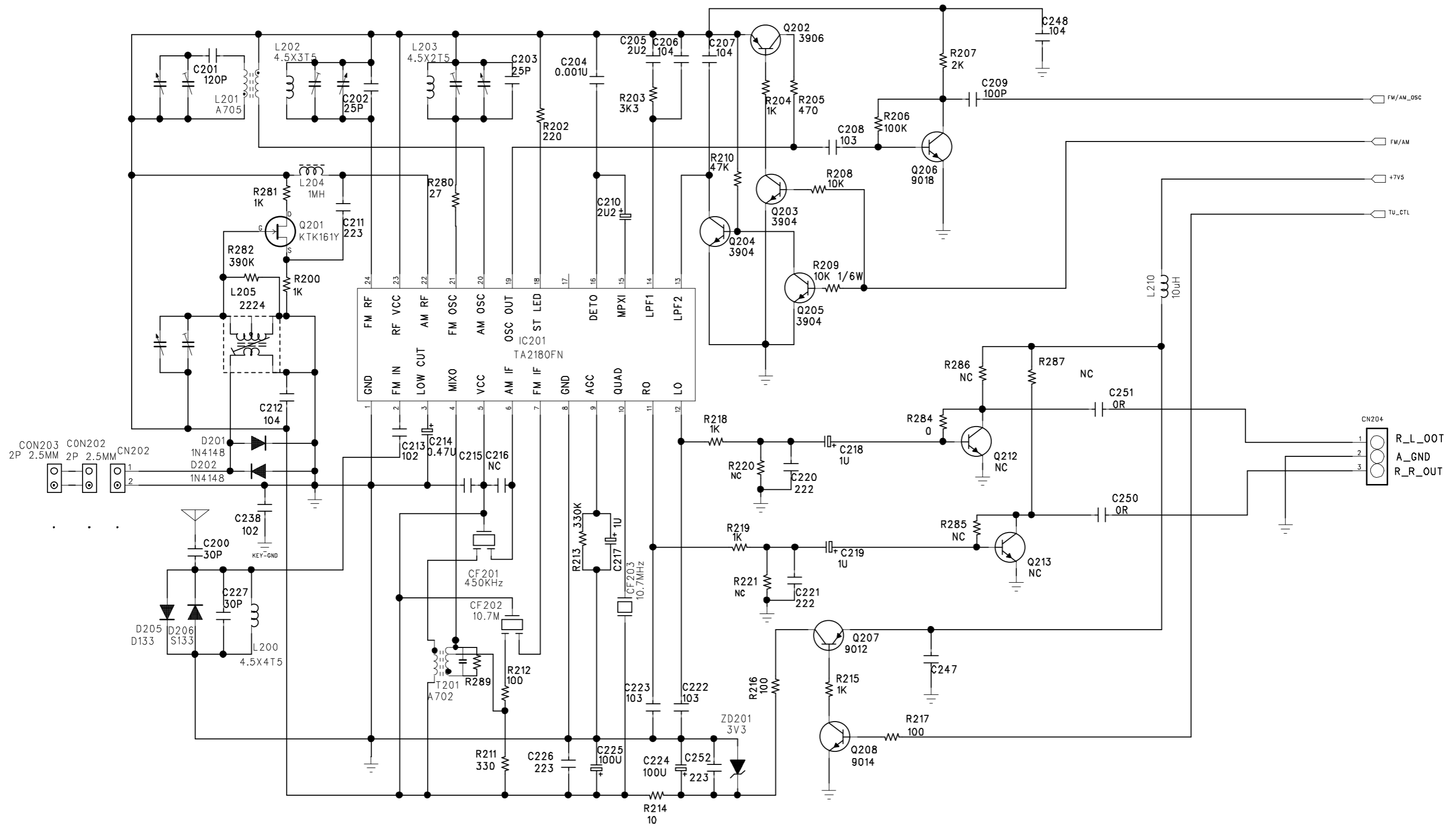
# LAYOUT DIAGRAM - MAIN BOARD COPPER SIDE



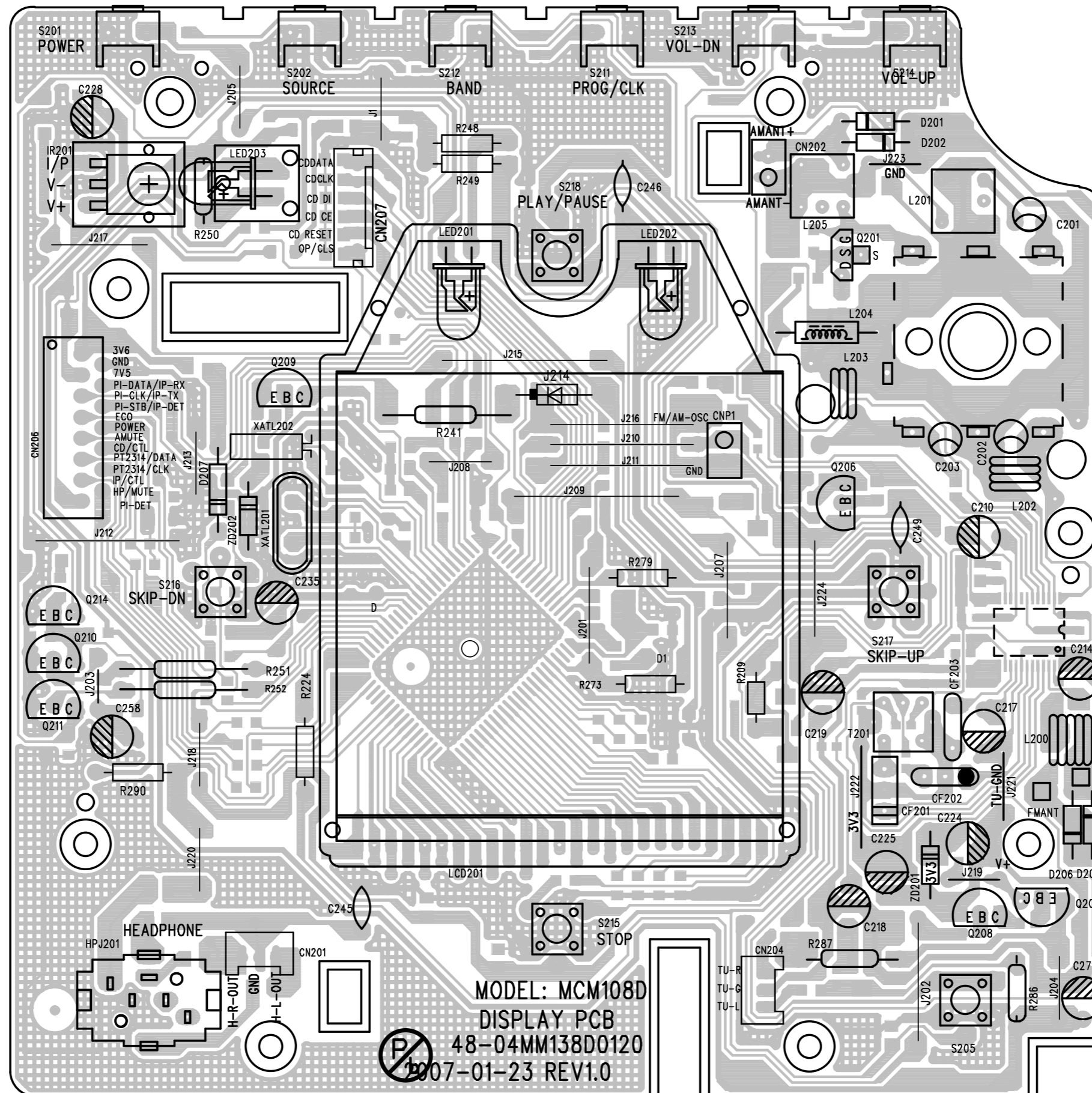
# CIRCUIT DIAGRAM - DISPLAY&TUNER BOARD display part



# CIRCUIT DIAGRAM - DISPLAY&TUNER BOARD tuenr part

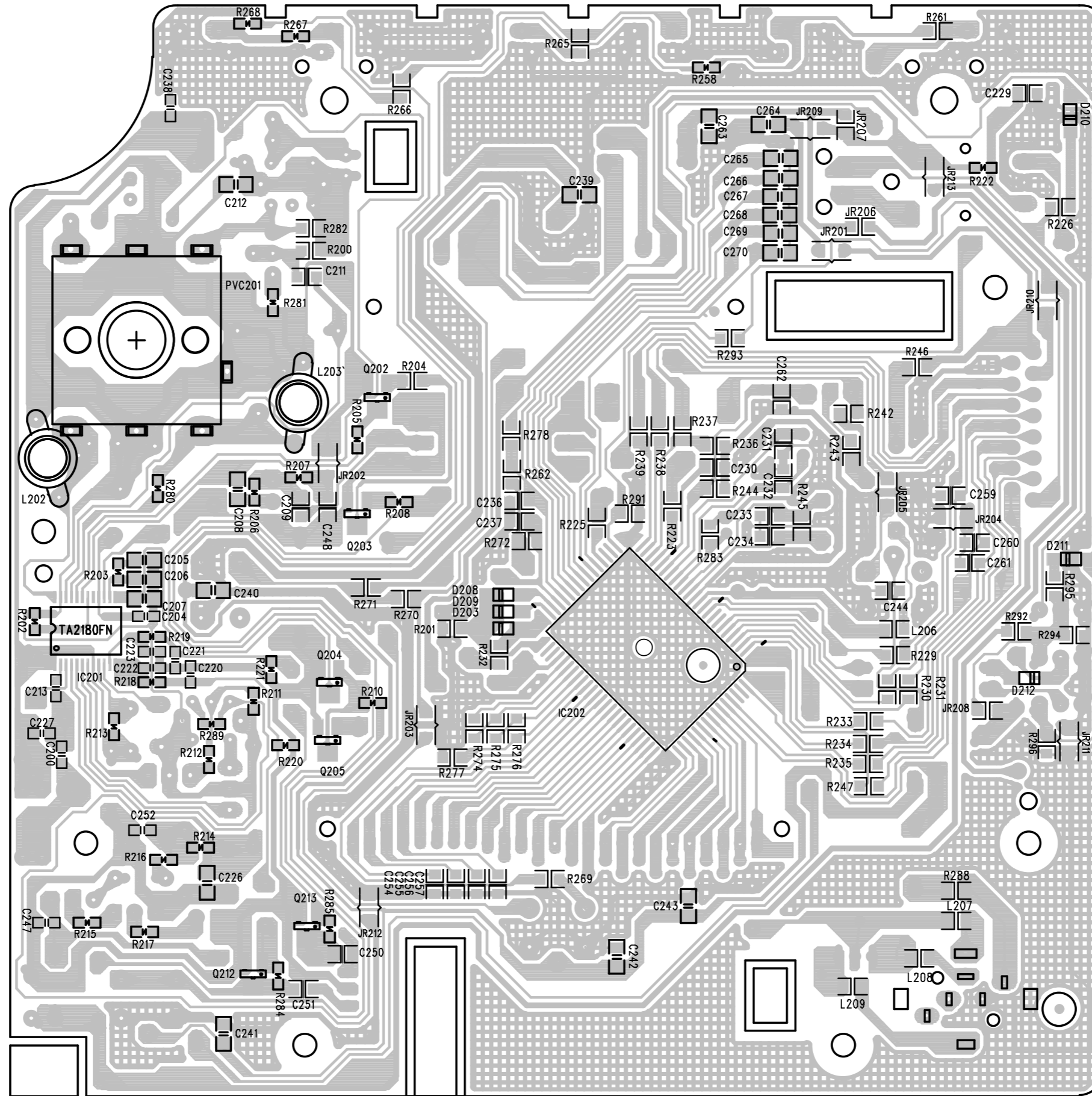


# LAYOUT DIAGRAM - DISPLAY&TUNER BOARD COMPONENT SIDE

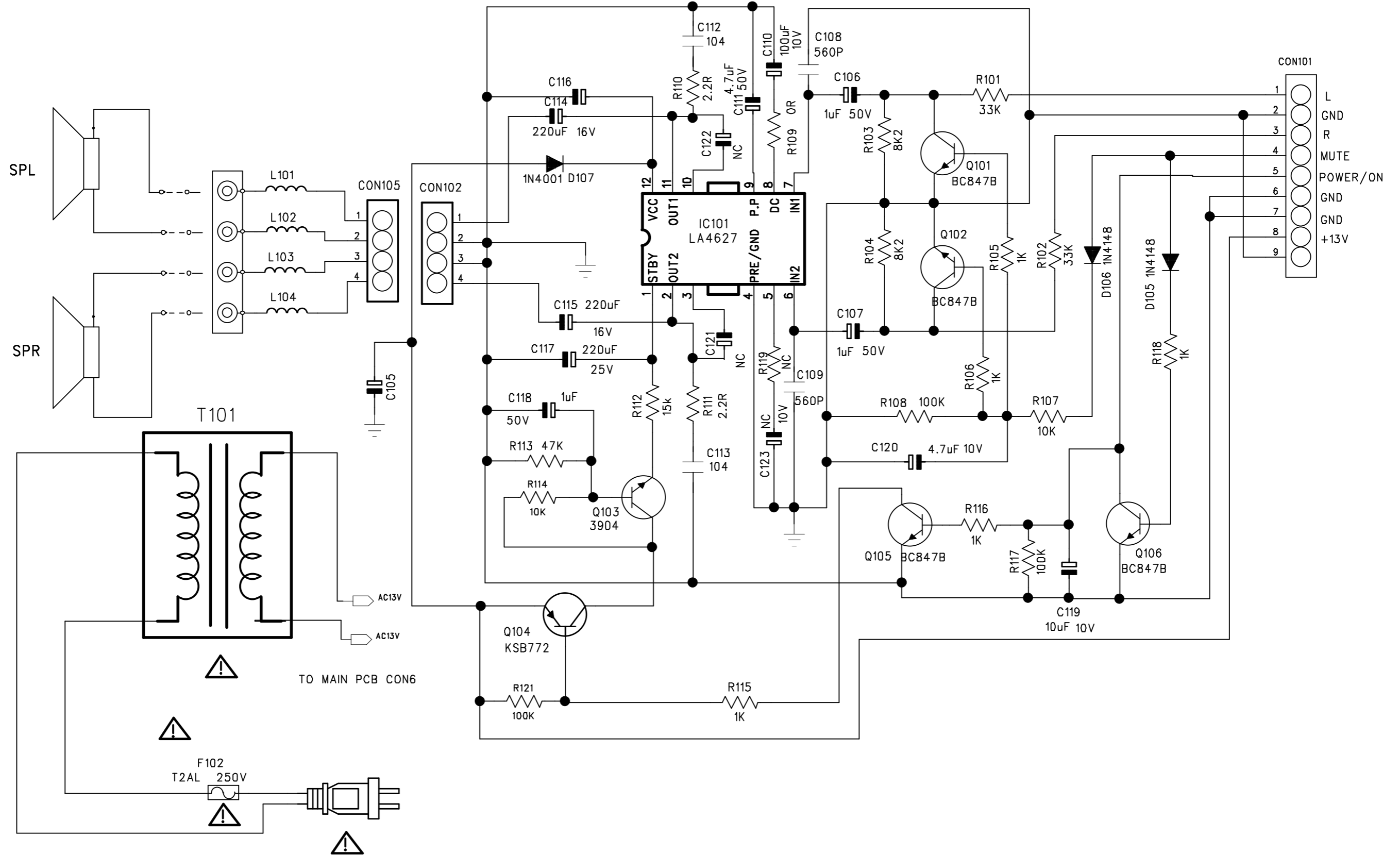




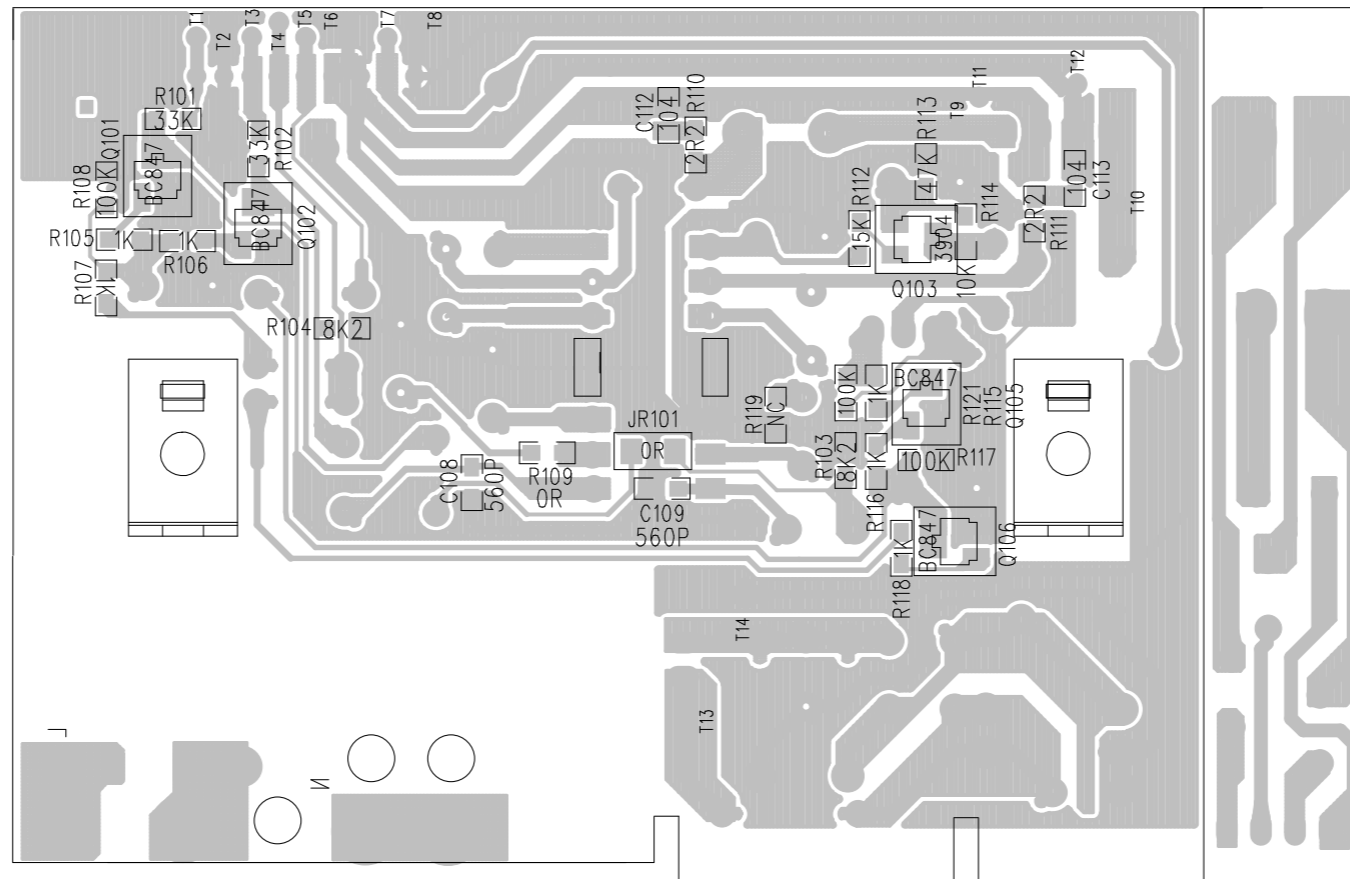
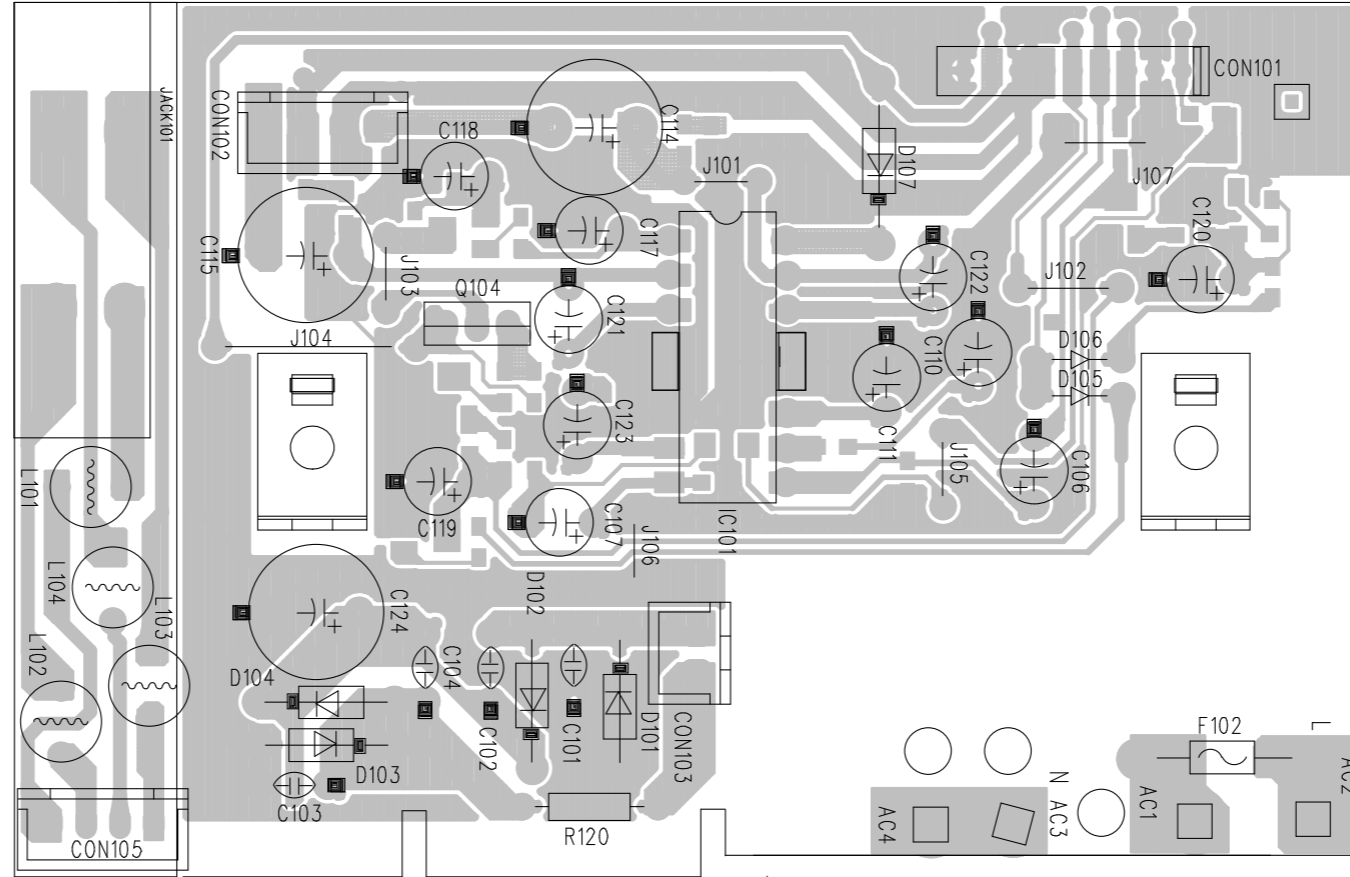
# LAYOUT DIAGRAM - DISPLAY&TUENR BOARD COPPER SIDE



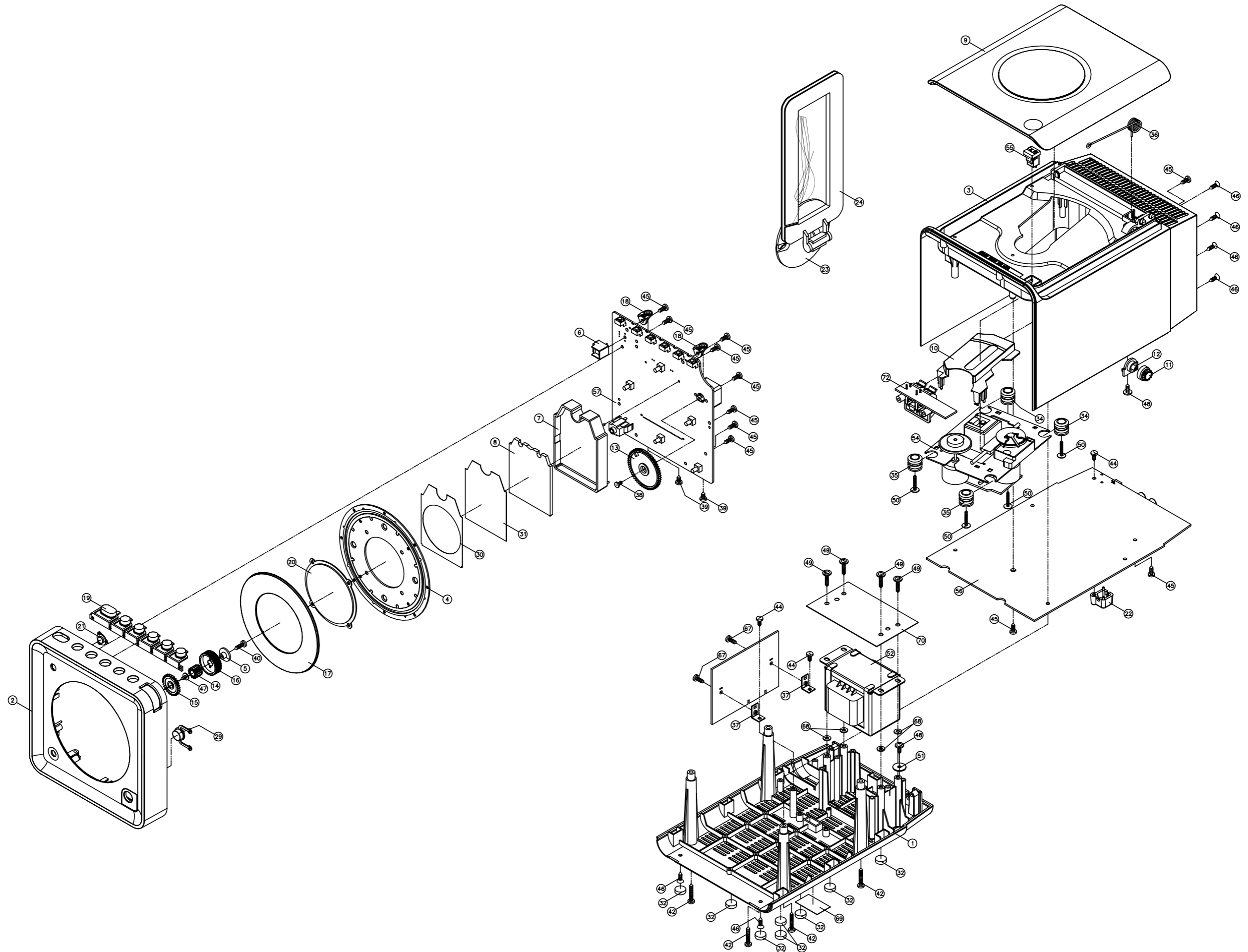
# CIRCUIT DIAGRAM - POWER BOARD



# LAYOUT DIAGRAM - POWER BOARD



# SET EXPLODED VIEW DIAGRAM



**MECHANICAL PARTSLIST**



1	996510001927	BOTTOM CABINET (ABS) WHITE
2	996510001928	FRONT CABINET (ABS) WHITE
3	996510001929	REAR CAB (ABS) WHITE
4	996500039339	RUBBER RING
5	996500039785	TUNING SHAFT
7	996500039352	LCD BRACKET (WH)
8	994000005397	BACK LIGHT LENS
9	996500039786	CD DOOR (WHITE)
10	994000004392	LASER COVER (FOR SANYO CD)
11	994000005406	CD GEAR
12	994000005407	CD GEAR BRACKET
13	994000005408	PVC GEAR
14	994000005409	TUNING GEAR 1
15	994000005411	TUNING GEAR 2
16	996500039335	TUNING KNOB (WHITE)
17	996500039340	CD BUTTOMS PLATE (WHI)
19	996500039336	FUNCTION KNOB GROUP (WHITE)
20	996500039337	DISPLAY LENS (PMMA)
21	996500039338	IR LENS (PMMA) (WHITE)
22	996500039790	FM PIG TAIL HOUSING
29	996510001930	KNOB 1G (WHITE)
32	994000005399	RUBBER FOOT WH
34	994000000505	SHOCK ABSORBER (658 TA 30C)
35	994000000506	SHOCK ABSORBER (658 TB 40C)
36	994000005401	CD DOOR SPRING (1.1mm)
52	996500042487	TRANSFORMER EI57 240V
54	994000005398	CD MECHANISM (SANYO) DA11B3VF
55	994000002354	CD DOOR SWITCH

**ACCESSORIES**

996510031218	IPOD DOCKING PART (NEW)
996510001932	IPOD HOLDER -20GB BLK
996510001933	IPOD HOLDER -30GB VIDEO 6G BLK
996510001934	IPOD HOLDER -30GB PHOTO 7G BLK
996510001935	IPOD HOLDER -40GB 7G BLK
996510001936	IPOD HOLDER -60GB 6G BLK
996510001937	IPOD HOLDER -60GB VIDEO 6G BLK
996510001938	IPOD HOLDER -NANO 7G BLK
996510001939	IPOD HOLDER -MINI 6G BLK
996510001940	REMOTE ASS'Y "PHILIPS" (WHITE)-12
996510001941	SPK BOX ASS'Y (2W) (L+R)-12
994000005378	AM LOOP ANT ASS'Y WH
996500042496	USB/RCA CABLE 0.75M (WH)
996510012146	IPOD HOLDER NANO 1G 2G 3G
996510012147	IPOD HOLDER -TOUCH ABS0
996510012148	IPOD HOLDER 5G 30GB GLASS 80GB
996510012149	IPOD HOLDER 5G 60GB 80GB

**Note: Only these parts mentioned in the list are normal service parts.**

**MECHANICAL PARTSLIST(only for -/98/79)**

1	996510001927	BOTTOM CABINET (ABS) WHITE (only for -/98)
1	996500042484	BOTTOM CABINET WHITE-1(only for -/79)
2	996510001928	FRONT CABINET (ABS) WHITE (only for -/98)
2	996510011354	FRONT CABINET(WHITE) (only for -/79)
3	996510001929	REAR CAB (ABS) WHITE (only for -/98)
3	996500042486	REAR CAB WHITE-1(only for -/79)
4	996500039339	RUBBER RING(ABS RUBBER)
5	996500039785	TUNING SHAFT
7	996500039352	LCD BRACKET
8	994000005397	BACK LIGHT LENS
9	996510011257	CD DOOR(only for -/98)
9	996500039786	CD DOOR (WHITE-1) (only for -/79)
10	996500039787	LASER COVER (FOR SANYO CD)
11	994000005406	CD GEAR
12	994000005407	CD GEAR BRACKET
13	994000005408	PVC GEAR
14	994000005409	TUNING GEAR 1
15	994000005411	TUNING GEAR 2
16	996500039335	TUNING KNOB (WHITE)
17	996500039340	CD BUTTOMS PLATE (WHITE)
19	996500039336	FUNCTION KNOB GROUP WHITE
20	996500039337	DISPLAY LENS
21	996500039338	IR LENS(WHITE)
22	996500039790	FM PIG TAIL HOUSING
29	996510001930	KNOB 1G (WHITE)
36	994000005401	CD DOOR SPRING
52	 996500042503	TRANSFORMER EI57 127/240V(only for -/98)
52	 996500042487	TRANSFORMER EI57 240V(only for -/79)
54	994000005398	CD MECHANISM DA11B3VF
55	994000002354	CD DOOR SWITCH DLS-02-W-1

**ACCESSORIES**


112	996510031218	IPOD DOCKING PART (NEW)
124	996510011266	REMOTE CONTROL
125	996510011267	SPK BOX ASSY (only for -/98)
125	996510011355	SPK BOX PART ASSY(only for -/79)
126	994000005378	AM LOOP ANT ASS'Y
127	996510012146	IPOD HOLDER NANO 1G 2G 3G
128	996510012147	IPOD HOLDER -TOUCH ABS0
129	996510012148	IPOD HOLDER 5G 30GB GLASS 80GB
130	996510012149	IPOD HOLDER 5G 60GB 80GB

**Note:** Only these parts mentioned in the list are normal service parts.

**ELECTRICAL PARTSLIST - MAIN BOARD ASSY****- IC & TRANSISTORS -**

Q7	996500039345	TRANSISTORS 2W 8050D
Q8	996500039345	TRANSISTORS 2W 8050D
Q11	996500039345	TRANSISTORS 2W 8050D
Q9	994000001193	TRANSISTORS KSB772YS
Q702	994000001193	TRANSISTORS KSB772YS
IC1	996500039806	IC (ETEK) ET2314 (SOP28)
IC3	994000000253	IC (SAMSUNG) KA7808E
IC5	994000000253	IC (SAMSUNG) KA7808E
IC6	994000004549	IC (SAMSUNG) KA7805E (TO-220)
IC702	994000004622	IC (SANYO) LA6548NH HSOP28H
IC701	996500039807	IC (SANYO) LC78690NW-E (SQFP80)
IC4	996500039808	IC SM LM324D (933984860668)
IC2	996500039809	IC YD4558 (SOP-8)

**- MISCELLANEOUS -**

X701	996500039810	CRYSTAL 16.9344MHZ HC-49/U
JACK1	996510001943	D-S TERMINAL #MDJ-110B-9AA12
JACK2	996510001944	PHONE JACK 3.6mm CKX-3.5-11DB
F1	 994000000586	GLASS FUSE W/LEAD 3.15A/250V

**Note:** Only these parts mentioned in the list are normal service parts.

**ELECTRICAL PARTSLIST - DISPLAY/TUNER BOARD ASSY****- MISCELLANEOUS -**

LED201	994000005385	LED LAMP (WHITE)
LED202	994000005385	LED LAMP (WHITE)
LCD201	996500039349	LCD DISPLAY
IC202	996510001946	MCU (GENNY) GY376A (MASKED)
IC201	994000005387	IC (TOSHIBA) TA2180FN
IR201	994000004367	FM OPTIC SENSER (OPTO..)
PVC201	994000004147	P.V.C #T443DF-1DF44Q-JE (A/F)
XTA202	994000004615	CRYSTAL 32.768KHZ 12.5PF
XTA201	996500039820	CRYSTAL 10MHz 49/US
CF201	994000002857	CER. FILTER (MURATA) SFU450B
CF202	996510001947	CERAMIC FILTER LT10.7MA5-A(3PIN) RED
CF203	994000005389	FILTER JT10.7MG33-A(2PIN)
L205	994000004611	I.F.T 7mm #7M1A2224N (BLK)
L201	994000005391	I.F.T 7.5x7.5mm 705 (RED)
T201	994000005392	I.F.T 7.6x7.6mm A702 (YELLOW)
L203	996500039350	FM COIL 4.5x2.5T (0.8mm)
L202	994000003655	FM COIL 4.5x3.5T (0.8mm)
L200	996500039351	FM COIL 4.5x4.5T (0.8mm)
S205	994000005393	TACT SWITCH
S215	994000005393	TACT SWITCH
S216	994000005393	TACT SWITCH
S217	994000005393	TACT SWITCH
S218	994000005393	TACT SWITCH
S201	994000004167	V/TACT SWITCH
S202	994000004167	V/TACT SWITCH
S211	994000004167	V/TACT SWITCH
S212	994000004167	V/TACT SWITCH
S213	994000004167	V/TACT SWITCH
S214	994000004167	V/TACT SWITCH
HPJ201	994000005394	V/PHONE JACK GREY
	994000003661	SPK JACK (RD/RD/BLK/BLK)

**Note:** Only these parts mentioned in the list are normal service parts.





## ELECTRICAL PARTSLIST

---


### - MISCELLANEOUS -

---

IC101	994000004346	IC POWER AMP (SANYO) LA4627
F102	994000000585	CER. FUSE W/LEAD T2A/250V
	994000001942	16P FLAT FLEX CABLE
	994000001255	15P FLAT FLEX CABLE
	 996500042505	AC CORD VDE APP 1.83M (M.T) -/12
	 996510001958	AC CORD PLUG VDE APP CORD 1.83M (WH) -/05
	996510001942	MAIN BOARD PCB ASSY
	996510001945	DISPLAY/TUNER BOARD PCB ASSY

**Note:** Only these parts mentioned in the list are normal service parts.

**ELECTRICAL PARTSLIST (only for -/98/79)****MAIN PCB ASSEMBLY**

Q11	996500039345	TRANSISTORS 2W 8050D
Q5	996500039346	TRANSISTORS 2W 8550D
Q7	996500039345	TRANSISTORS 2W 8050D
Q702	994000001193	TRANSISTORS KSB772YS
Q8	996500039345	TRANSISTORS 2W 8050D
Q9	994000001193	TRANSISTORS KSB772YS
IC1	996500039806	IC ET2314 (SOP28)
IC2	996500039809	IC YD4558
IC3	994000000253	IC (SAMSUNG) KA7808
IC4	996500039808	IC SM LM324D
IC5	994000000253	IC (SAMSUNG) KA7808
IC6	994000004549	IC KA7805E
IC701	996500039807	IC (SANYO) LC78690NW-E
IC702	994000004622	IC LA6548NH
X701	996500039810	CRYSTAL 16.9344MHZ HC-49/U
JACK1	996510001943	D-S TERMINAL #MDJ-110B-9AA12
JACK2	996510001944	PHONE JACK 3.6mm CKX-3.5-11DB
F1	 994000004599	FUSE RADIAL T3.15A 250V

**DISPALY PCB ASSEMBLY**

CF201	994000002857	CERAMIC FILTER SFU450B
CF202	996510001947	CERAMIC FILTER LT10.7MA5-A
CF203	994000005389	DISC. FILTER JT10.7MG33-A
HPJ201	994000005394	V/PHONE JACK
IC201	994000005387	IC TA2180FN
IC202	996510011256	MCU GY376B
IR201	994000004367	OPTIC SENSER FM-6038TM2-5AN
L200	996510000857	FM COIL 4.5x4.5T
L201	994000005391	I.F.T 7.5X7.5MM 705 (RED)
L202	994000003655	FM COIL 4.5X3.5T
L203	996500039350	FM COIL 4.5x2.5T (0.8mm)
L205	994000004611	I.F.T 7MM #7M1A2224N
LCD201	996500039349	LCD DISPLAY
LED201	994000005385	LED LAMP (WHITE)
LED202	994000005385	LED LAMP (WHITE)
PVC201	994000004147	P.V.C #T443DF-1DF44Q-JE(A/F)
S201	994000004167	V/TACT SWITCH 7X7.4MM 3.85MM
S202	994000004167	V/TACT SWITCH 7X7.4MM 3.85MM
S205	994000005393	TACT SWITCH
S211	994000004167	V/TACT SWITCH 7X7.4MM 3.85MM
S212	994000004167	V/TACT SWITCH 7X7.4MM 3.85MM
S213	994000004167	V/TACT SWITCH 7X7.4MM 3.85MM
S214	994000004167	V/TACT SWITCH 7X7.4MM 3.85MM
S215	994000005393	TACT SWITCH
S216	994000005393	TACT SWITCH
S217	994000005393	TACT SWITCH
S218	994000005393	TACT SWITCH
T201	994000005392	I.F.T 7.6X7.6MM A702 (YELLOW)
XATL202	994000004615	CRYSTAL 32.768KHZ 12.5PF
XATL202	996510012559	CRYSTAL 32.768KHZ (-/79)
XTAL201	996500039820	CRYSTAL 10MHz 49/US
101	996510011269	FERRITE CORE 16x12mm

**ELECTRICAL PARTSLIST (only for -/98/79)****- MISCELLANEOUS -**

F102	△	994000000585	CERAMIC FUSE W/LEAD 2A/250V
IC101		994000004346	IC POWER AMP (SANYO) LA4627
J001		996510002140	16P FLEX CABLE 1mm (MAIN-CDM)
J002		994000001255	15P FFC 1.25MM L=180MM
J007	△	996500042505	AC CORD VDE APP 1.83M(WHITE) (only for -/98)
J405		994000003661	SPK JACK PT-22V11

**Note:** Only these parts mentioned in the list are normal service parts.

## REVISION LIST

### Version 1.0 (3141 785 31700)

- \* Initial Release MCM138D /93/12/05

### Version 1.1 (3141 785 31701)

- \* New versions /98 and /79 are introduced.
- \* Page 9-3 : Mechanical partslist - Added
- \* Page 10-4 and 10-5 : Electrical partslist - Added

### Version 1.2 (3141 785 31702)

- \* Page 9-2 and 9-3 : Change IPOD DOCKING part number
- \* Page 9-3 : Delete IPOD HOLDER
- \* Page 10-4 : Changed XATL202 for /79 (3/16/2010)